

## SunDay S 10+


## N-Type TOPCon

BIFACIAL N-TYPE HALF-CELL  
DOUBLE-GLASS MODULE

Sdm610-THBB-D1 Sdm615-THBB-D1

Sdm620-THBB-D1 Sdm625-THBB-D1


Sdm630-THBB-D1 Sdm635-THBB-D1

 OPTIMAL CUSTOMER VALUE**22.7%** (635 W)

- Up to 22.7% module efficiency
- Provides optimal LCOE

 HIGH EFFICIENCY CHARACTERISTICS

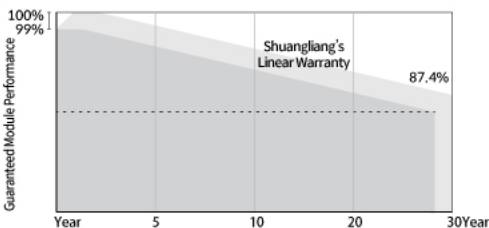
- High Bifacial power generation coefficient (80%)
- Low temperature coefficient (-0.29%/°C)
- High low-light power generation

 HIGH DURABILITY

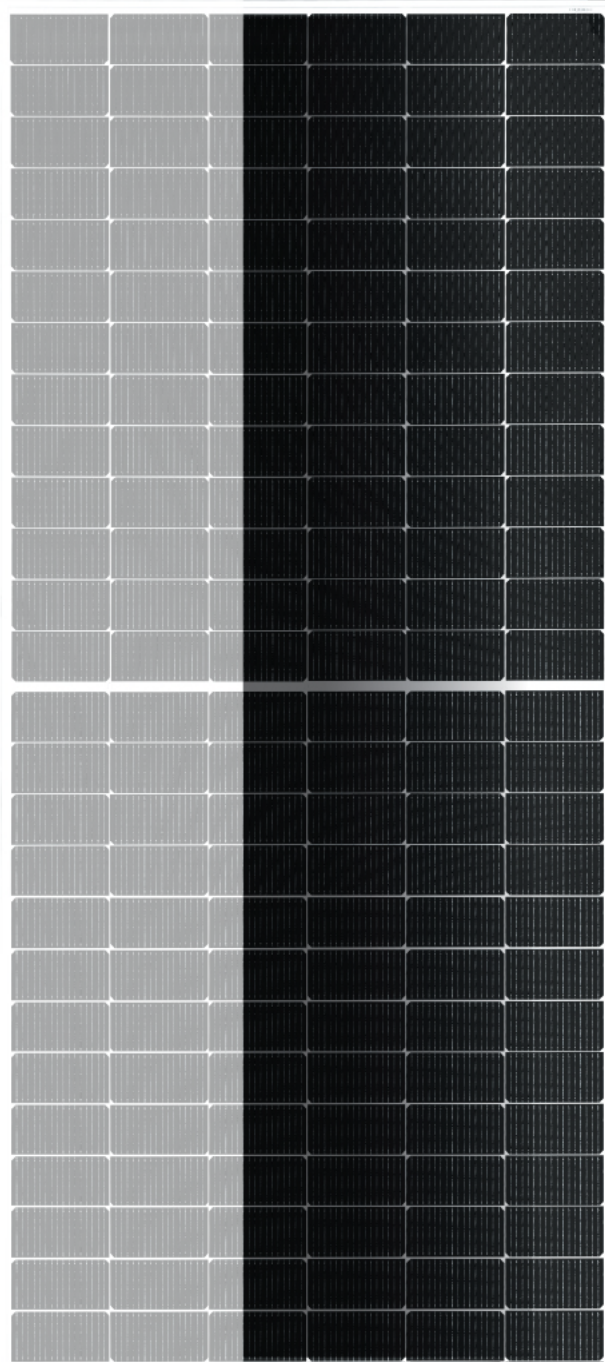
- Application of high-durability bonding materials
- Anti-PID technology
- Interannual degradation rate 0.4%/year or less

 SUNDAYS 10+ SUPERIOR WARRANTY

· 12-year Product Warranty · 30-year Linear Power Warranty



- 12-year Product Warranty
- 30-year Linear Power Warranty



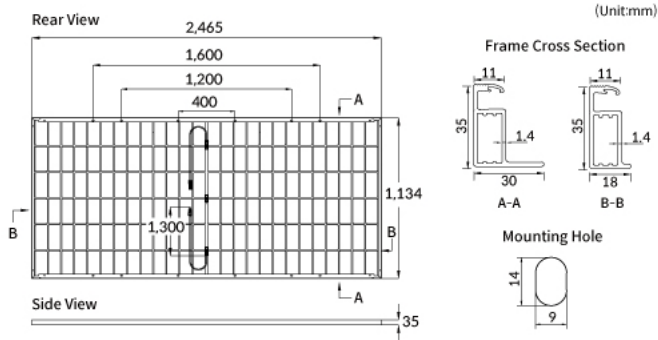
**635W**  
OUTPUT

**22.7%**  
EFFICIENCY

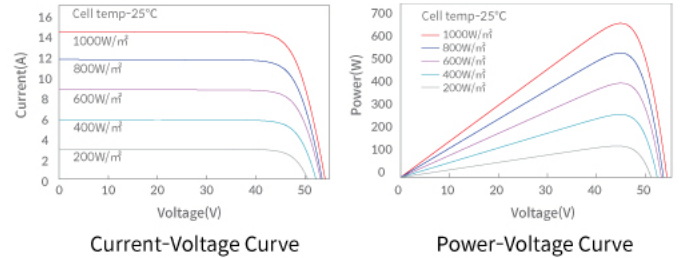
**≤1%**  
FIRST-YEAR DEGRADATION

**≤0.4%**  
ANNUAL DEGRADATION FROM YEAR 2-30

## ENGINEERING DRAWINGS



## IV CURVE BY ILLUMINANCE



## MECHANICAL SPECIFICATIONS

<b>Solar Cells</b>	TopCon N-type / 182.2mm X182.2mm	<b>Connector</b>	MC4
<b>Cell Orientation</b>	156 (6 x 26)	<b>Front Materials</b>	2.0mm, AR Coated Heat Strengthened Glass
<b>Dimensions</b>	2,465mm x 1,134mm x 35mm	<b>Back Materials</b>	2.0mm, Heat Strengthened Glass, White Pattern
<b>Weight</b>	35.9kg	<b>Encapsulant Material</b>	EPE/EPE
<b>Junction Box</b>	IP68 with 3bypass diodes	<b>Frame</b>	Anodized Aluminum Alloy (Sliver Color)

## ELECTRICAL CHARACTERISTICS

STC <sup>1</sup>								BSTC <sup>2</sup>							
<b>Maximum Power</b>	[W]	610	615	620	625	630	635	<b>Maximum Power</b>	[W]	671	677	682	688	693	699
<b>Output Tolerance</b>	[W]	0 ~ +5						<b>Open-Circuit Voltage</b>	[V]	55.30	55.43	55.57	55.71	55.82	55.91
<b>Module Efficiency</b>	[%]	21.82	22.00	22.18	22.36	22.54	22.72	<b>Short-Circuit Current</b>	[A]	15.44	15.53	15.62	15.71	15.80	15.88
<b>Open-Circuit Voltage</b>	[V]	55.30	55.43	55.57	55.71	55.82	55.91	<b>Max. Power Voltage</b>	[V]	45.59	45.75	45.92	46.09	46.24	46.34
<b>Short-Circuit Current</b>	[A]	14.04	14.12	14.20	14.28	14.36	14.44	<b>Max. Power Current</b>	[A]	14.73	14.80	14.86	14.93	14.99	15.08
<b>Max. Power Voltage</b>	[V]	45.59	45.75	45.92	46.09	46.24	46.34	* STC <sup>1</sup> : The intensity of radiation = 1000 W/m <sup>2</sup> , Module temperature = 25 °C, AM = 1.5 * BSTC <sup>2</sup> : The intensity of radiation = 1000 + φ x135 W/m <sup>2</sup> , Module temperature = 25 °C, AM = 1.5							
<b>Max. Power Current</b>	[A]	13.39	13.45	13.51	13.57	13.63	13.71								

## SYSTEM PARAMETERS

<b>Operational Temperature</b>	-40 ~ +85 °C
<b>Max. System Voltage</b>	DC 1500V
<b>Max. Series Fuse Rating</b>	30 A

## MECHANICAL LOADING

<b>Front-Side Maximum Static Loading</b>	5400 Pa
<b>Rear Side Maximum Static Loading</b>	2400 Pa

## TEMPERATURE RATINGS

<b>Temperature Coefficient of Pmax</b>	-0.290%/°C
<b>Temperature Coefficient of Voc</b>	-0.250%/°C
<b>Temperature Coefficient of Isc</b>	+0.045%/°C
<b>NOCT (Nominal Operating Cell Temp.)</b>	45±2°C

## WARRANTY

12-Year Product Warranty		
<b>Power Warranty</b>	<b>1-Year</b>	99.0%
	<b>10-Year</b>	95.4%
	<b>30-Year</b>	87.4%

\*Specifications included in this datasheet are subject to change without notice.

